

---

# HD74LVCZ240A

Octal Buffers / Line Drivers with 3-state Outputs

## HITACHI

ADE-205-229A (Z)  
2nd. Edition  
February 1999

---

### Description

The HD74LVCZ240A has eight inverter drivers with three state outputs in a 20 pin package. This device is an inverting buffer and has two active low enables ( $1\bar{G}$  and  $2\bar{G}$ ). Each enable independently controls four buffers.

When  $V_{CC}$  is between 0 and 1.5 V, the device is in the high impedance state during power up or power down.

Low voltage and high speed operation is suitable at battery drive product (note type personal computer) and low power consumption extends the life of a battery for long time operation.

### Features

- $V_{CC} = 2.7$  to  $5.5$  V
- All inputs  $V_{IH}$  (Max) =  $5.5$  V (@  $V_{CC} = 0$  to  $5.5$  V)
- All outputs  $V_O$  (Max) =  $5.5$  V (@  $V_{CC} = 0$  V or output off state)
- Typical  $V_{OL}$  ground bounce <  $0.8$  V (@  $V_{CC} = 3.3$  V,  $T_a = 25^\circ\text{C}$ )
- Typical  $V_{OH}$  undershoot >  $2.0$  V (@  $V_{CC} = 3.3$  V,  $T_a = 25^\circ\text{C}$ )
- High impedance state during power up and power down
- Power off disables outputs, permitting live insertion
- High output current  $\pm 24$  mA (@  $V_{CC} = 3.0$  to  $5.5$  V)

---

# HD74LVCZ240A

---

## Function Table

Inputs		Output $\bar{Y}$
$\bar{G}$	A	
H	X	Z
L	H	L
L	L	H

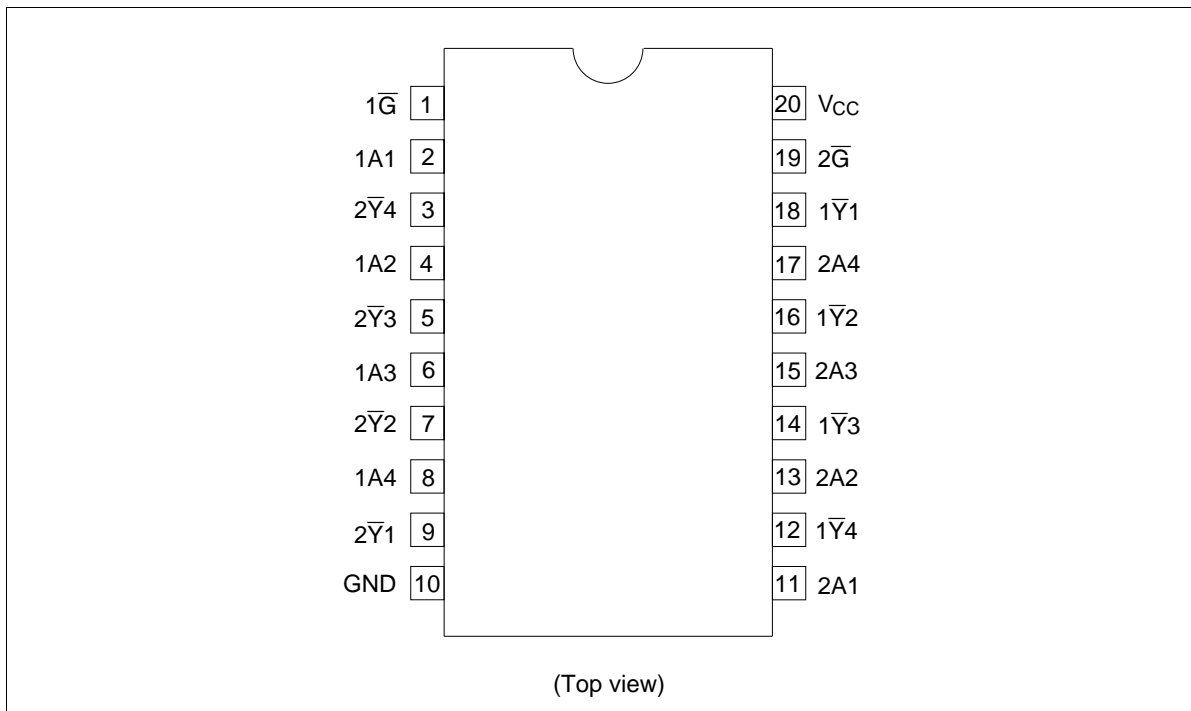
H : High level

L : Low level

X : Immaterial

Z : High impedance

## Pin Arrangement



**Absolute Maximum Ratings**

Item	Symbol	Ratings	Unit	Conditions
Supply voltage	$V_{CC}$	-0.5 to 7.0	V	
Input voltage	$V_I$	-0.5 to 7.0	V	
Output voltage	$V_O$	-0.5 to 7.0	V	Output "Z" or $V_{CC}$ : OFF
		-0.5 to $V_{CC}+0.5$		Output "H" or "L"
Input diode current	$I_{IK}$	-50	mA	$V_I < 0$
Output diode current	$I_{OK}$	-50	mA	$V_O < 0$
Output current	$I_O$	$\pm 50$	mA	
$V_{CC}$ , GND current	$I_{CC}$ or $I_{GND}$	$\pm 100$	mA	
Storage temperature	Tstg	-65 to 150	°C	

Note: The absolute maximum ratings are values which must not individually be exceeded, and furthermore, no two of which may be realized at the same time.

**Recommended Operating Conditions**

Item	Symbol	Ratings	Unit	Conditions
Supply voltage	$V_{CC}$	2.7 to 5.5	V	At operation
Input voltage	$V_I$	0 to 5.5	V	
Output voltage	$V_O$	0 to 5.5	V	Output "Z" or $V_{CC}$ : OFF
		0 to $V_{CC}$		Output "H" or "L"
Output current	$I_{OH}$	-12	mA	$V_{CC} = 2.7$ V
		-24 <sup>1)</sup>		$V_{CC} = 3.0$ to 5.5 V
	$I_{OL}$	12		$V_{CC} = 2.7$ V
		24 <sup>1)</sup>		$V_{CC} = 3.0$ to 5.5 V
Input rise / fall time	$t_r, t_f$	0 to 6	ns / V	
Operating temperature	Ta	-40 to +85	°C	

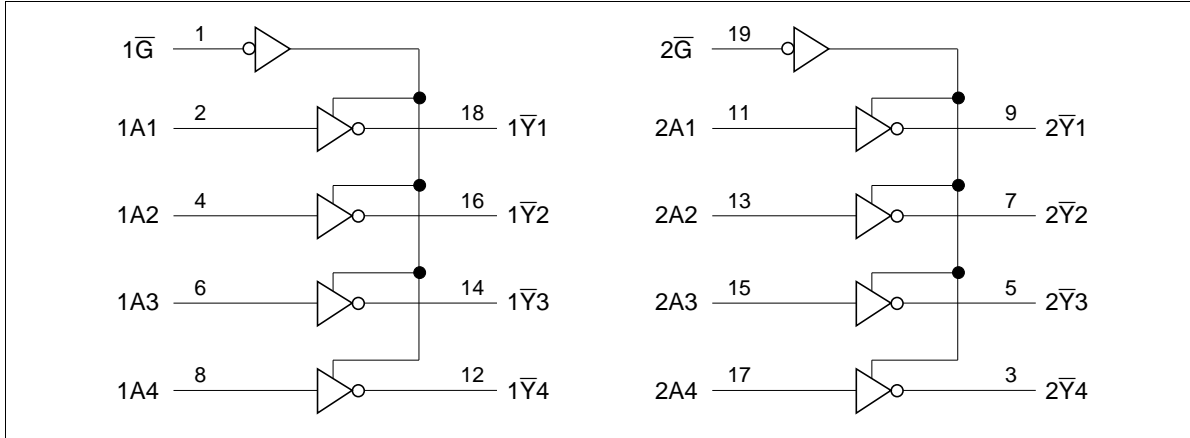
Note: 1. Duty cycle  $\leq 50\%$

---

# HD74LVCZ240A

---

## Logic Diagram



**Electrical Characteristics (Ta = -40 to 85°C)**

Item	Symbol	V <sub>CC</sub> (V)	Min	Typ	Max	Unit	Test Conditions
Input voltage	V <sub>IH</sub>	2.7 to 3.6	2.0	—	—	V	
		4.5 to 5.5	V <sub>CC</sub> ×0.7	—	—		
	V <sub>IL</sub>	2.7 to 3.6	—	—	0.8		
		4.5 to 5.5	—	—	V <sub>CC</sub> ×0.3		
Output voltage	V <sub>OH</sub>	2.7 to 5.5	V <sub>CC</sub> -0.2	—	—	V	I <sub>OH</sub> = -100 μA
		2.7	2.2	—	—		I <sub>OH</sub> = -12 mA
		3.0	2.4	—	—		
		3.0	2.2	—	—		I <sub>OH</sub> = -24 mA
		4.5	3.8	—	—		
	V <sub>OL</sub>	2.7 to 5.5	—	—	0.2	I <sub>OL</sub> = 100 μA	
		2.7	—	—	0.4	I <sub>OL</sub> = 12 mA	
		3.0	—	—	0.55	I <sub>OL</sub> = 24 mA	
		4.5	—	—	0.55		
	Input current	I <sub>IN</sub>	0 to 5.5	—	—	±5	μA
Off state output current	I <sub>OZ</sub>	2.7 to 5.5	—	—	±5	μA	V <sub>OUT</sub> = 0 to 5.5 V
	I <sub>OZPU</sub>	0 to 1.5	—	—	±5		V <sub>OUT</sub> = 0.5 to 5.5 V,
	I <sub>OZPD</sub>	1.5 to 0	—	—	±5		Output enable = don't care
Output leak current	I <sub>OFF</sub>	0	—	—	±5	μA	V <sub>IN</sub> or V <sub>O</sub> = 5.5 V
Quiescent supply current	I <sub>CC</sub>	2.7 to 3.6	—	—	225	μA	V <sub>IN</sub> = 3.6 to 5.5 V <sup>1)</sup> , I <sub>O</sub> = 0
		2.7 to 5.5	—	—	350		V <sub>IN</sub> = V <sub>CC</sub> or GND
	ΔI <sub>CC</sub>	2.7 to 3.6	—	—	500		V <sub>IN</sub> = one input at (V <sub>CC</sub> -0.6) V, other inputs at V <sub>CC</sub> or GND
Input capacitance	C <sub>IN</sub>	3.3	—	3.4	—	pF	V <sub>IN</sub> = V <sub>CC</sub> or GND
Output capacitance	C <sub>O</sub>	3.3	—	7.5	—	pF	V <sub>OUT</sub> = V <sub>CC</sub> or GND

Note: 1. This applies in the disabled state only.

# HD74LVCZ240A

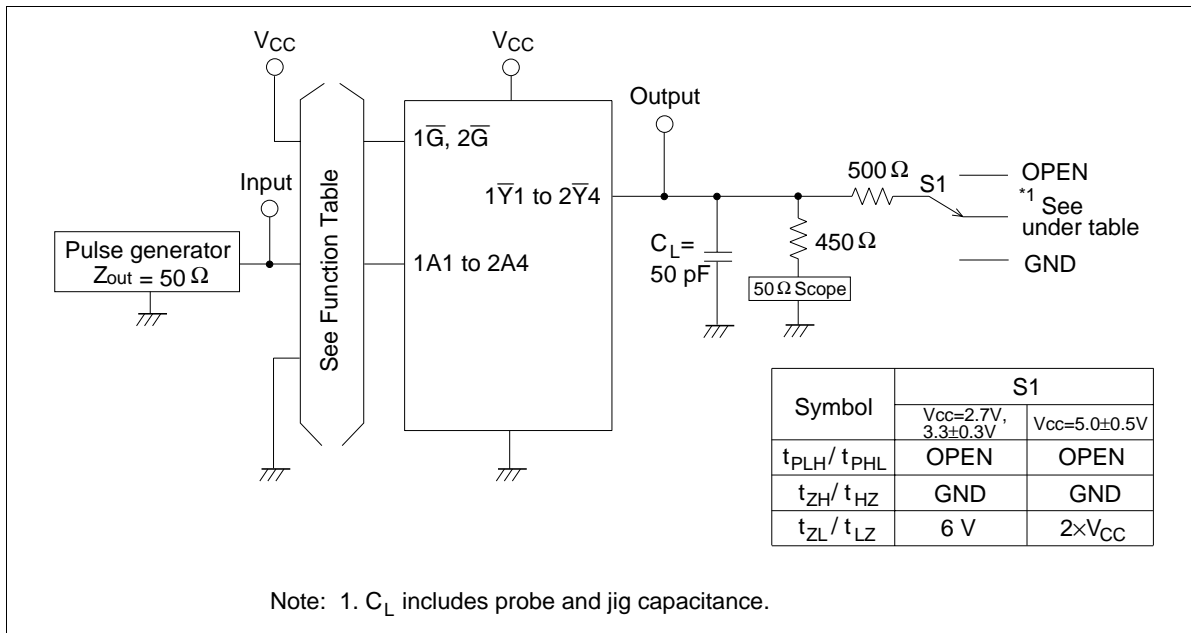
## Switching Characteristics (Ta = -40 to 85°C)

Item	Symbol	V <sub>CC</sub> (V)	Min	Typ	Max	Unit	FROM (Input)	TO (Output)
Propagation delay time	t <sub>PLH</sub>	2.7	—	—	7.5	ns	A	ȳ
	t <sub>PHL</sub>	3.3±0.3	1.3	—	6.5			
		5.0±0.5	—	—	5.0			
Output enable time	t <sub>ZH</sub>	2.7	—	—	9.0	ns	Ḡ	ȳ
	t <sub>ZL</sub>	3.3±0.3	1.1	—	8.0			
		5.0±0.5	—	—	6.5			
Output disable time	t <sub>HZ</sub>	2.7	—	—	8.0	ns	Ḡ	ȳ
	t <sub>LZ</sub>	3.3±0.3	1.4	—	7.0			
		5.0±0.5	—	—	6.0			
Between output pin skew <sup>*1</sup>	t <sub>OSLH</sub>	2.7	—	—	—	ns		
	t <sub>OSHL</sub>	3.3±0.3	—	—	1.0			
		5.0±0.5	—	—	1.0			

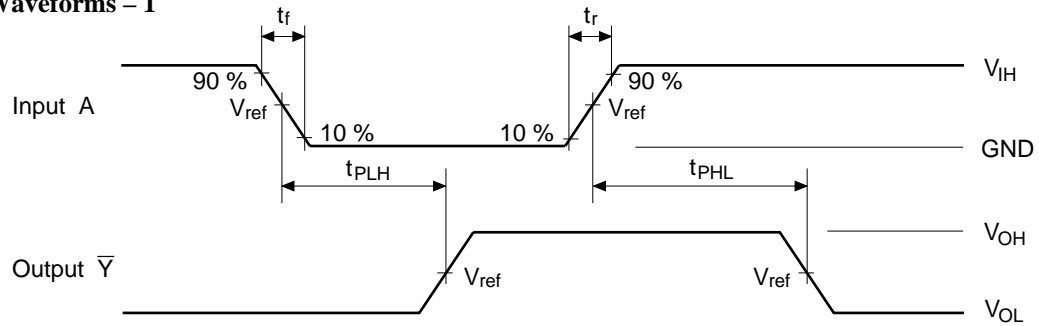
Note : 1. This parameter is characterized but not tested.

$$t_{OSLH} = |t_{PLHm} - t_{PLHn}|, t_{OSHL} = |t_{PHLm} - t_{PHLn}|$$

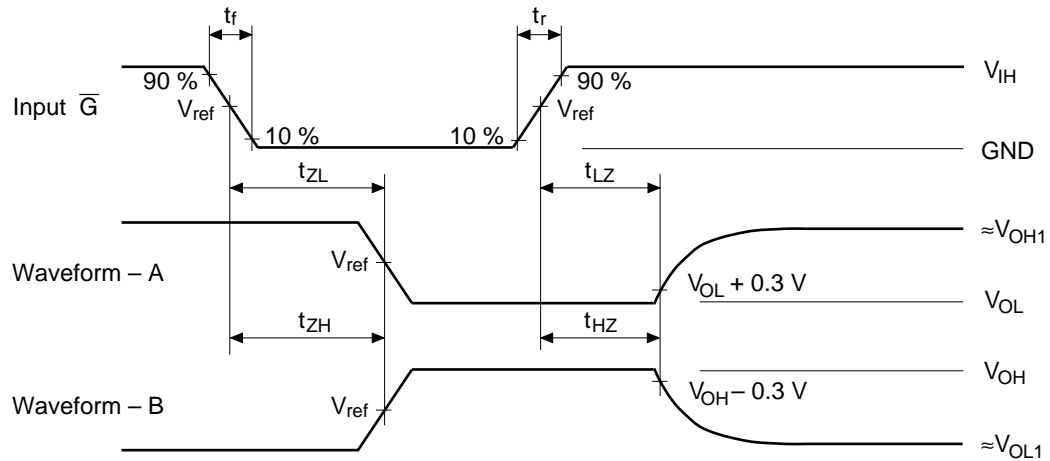
## Test Circuit



• Waveforms – 1



• Waveforms – 2



TEST	$V_{CC}=2.7V, 3.3\pm 0.3V$	$V_{CC}=5.0\pm 0.5V$
$V_{IH}$	2.7 V	$V_{CC}$
$V_{ref}$	1.5 V	$50\%V_{CC}$
$V_{OH1}$	3 V	$V_{CC}$
$V_{OL1}$	GND	GND

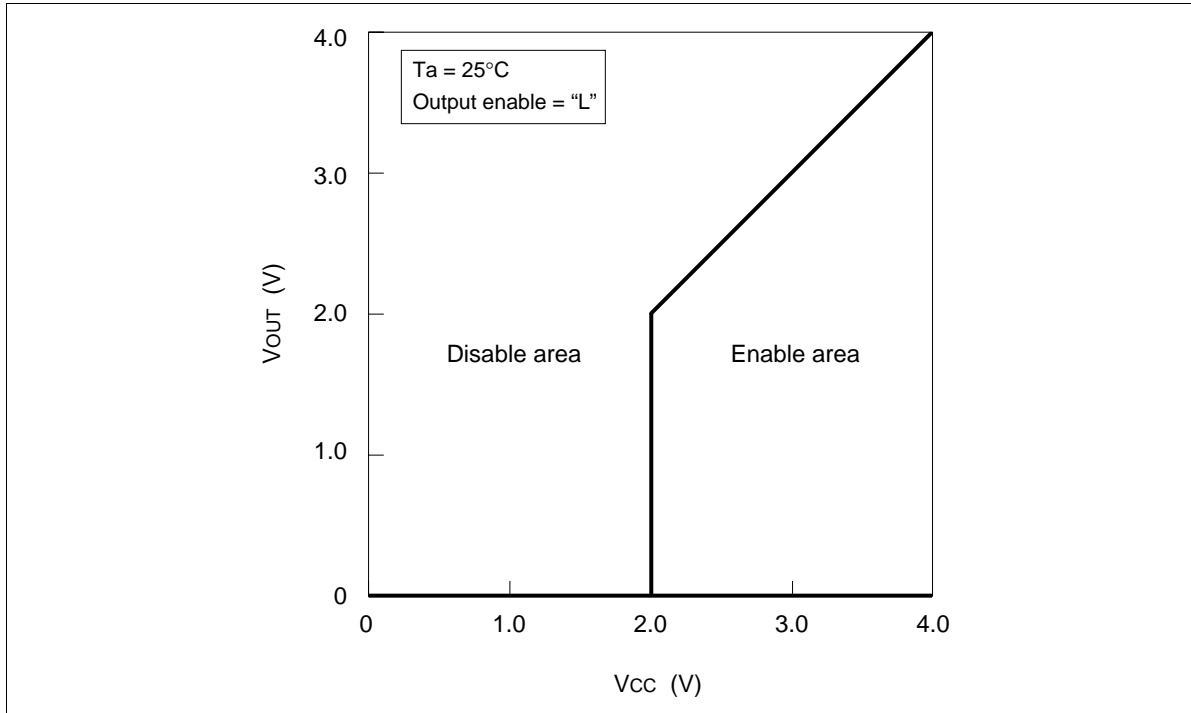
- Notes:
1. Input waveform : PRR = 10 MHz, duty cycle 50%,  $t_r = 2.5$  ns,  $t_f = 2.5$  ns
  2. Waveform – A shows input conditions such that the output is “L” level when enabled by the output control.
  3. Waveform – B shows input conditions such that the output is “H” level when enabled by the output control.

---

# HD74LVCZ240A

---

## Power up / down Characteristics

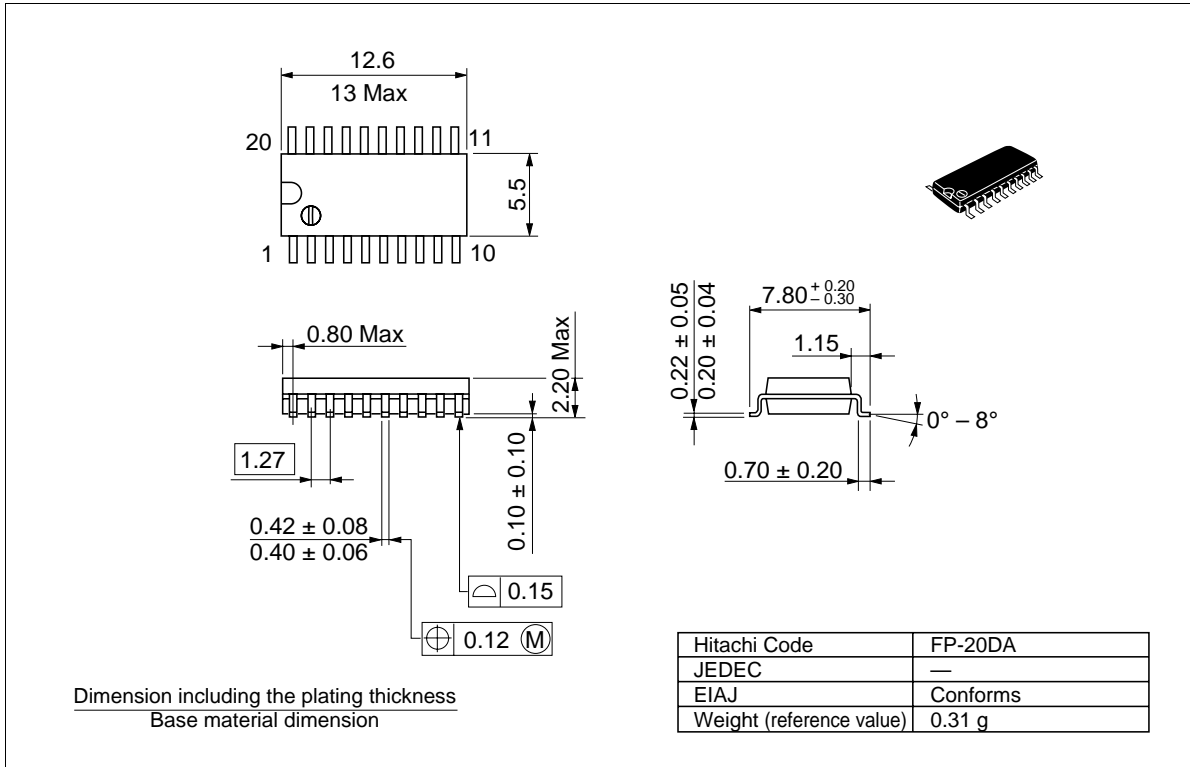




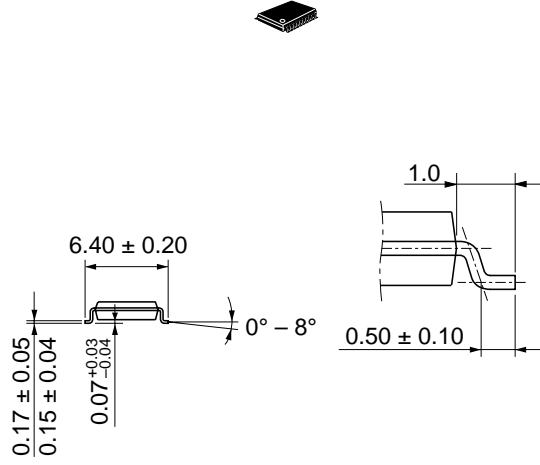
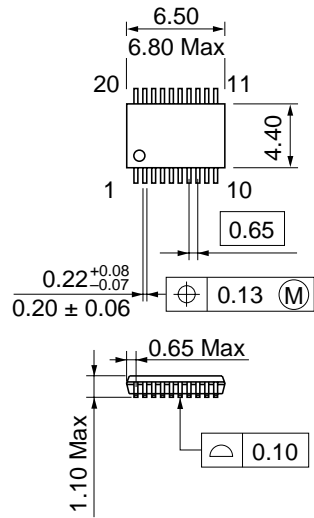
# HD74LVCZ240A

## Package Dimensions

Unit : mm



# HD74LVCZ240A



Dimension including the plating thickness  
Base material dimension

Hitachi Code	TTP-20DA
JEDEC	—
EIAJ	—
Weight (reference value)	0.07 g

**Cautions**

1. Hitachi neither warrants nor grants licenses of any rights of Hitachi's or any third party's patent, copyright, trademark, or other intellectual property rights for information contained in this document. Hitachi bears no responsibility for problems that may arise with third party's rights, including intellectual property rights, in connection with use of the information contained in this document.
2. Products and product specifications may be subject to change without notice. Confirm that you have received the latest product standards or specifications before final design, purchase or use.
3. Hitachi makes every attempt to ensure that its products are of high quality and reliability. However, contact Hitachi's sales office before using the product in an application that demands especially high quality and reliability or where its failure or malfunction may directly threaten human life or cause risk of bodily injury, such as aerospace, aeronautics, nuclear power, combustion control, transportation, traffic, safety equipment or medical equipment for life support.
4. Design your application so that the product is used within the ranges guaranteed by Hitachi particularly for maximum rating, operating supply voltage range, heat radiation characteristics, installation conditions and other characteristics. Hitachi bears no responsibility for failure or damage when used beyond the guaranteed ranges. Even within the guaranteed ranges, consider normally foreseeable failure rates or failure modes in semiconductor devices and employ systemic measures such as fail-safes, so that the equipment incorporating Hitachi product does not cause bodily injury, fire or other consequential damage due to operation of the Hitachi product.
5. This product is not designed to be radiation resistant.
6. No one is permitted to reproduce or duplicate, in any form, the whole or part of this document without written approval from Hitachi.
7. Contact Hitachi's sales office for any questions regarding this document or Hitachi semiconductor products.

---

---

**HITACHI****Hitachi, Ltd.**

Semiconductor & IC Div.  
Nippon Bldg., 2-6-2, Ohte-machi, Chiyoda-ku, Tokyo 100-0004, Japan  
Tel: Tokyo (03) 3270-2111 Fax: (03) 3270-5109

URL      NorthAmerica      : <http://semiconductor.hitachi.com/>  
             Europe                 : <http://www.hitachi-eu.com/hel/ecg>  
             Asia (Singapore)      : <http://www.has.hitachi.com.sg/grp3/sicd/index.htm>  
             Asia (Taiwan)            : [http://www.hitachi.com.tw/E/Product/SICD\\_Frame.htm](http://www.hitachi.com.tw/E/Product/SICD_Frame.htm)  
             Asia (HongKong)        : <http://www.hitachi.com.hk/eng/bo/grp3/index.htm>  
             Japan                        : <http://www.hitachi.co.jp/Sicd/indx.htm>

**For further information write to:**

Hitachi Semiconductor  
(America) Inc.  
179 East Tasman Drive,  
San Jose, CA 95134  
Tel: <1> (408) 433-1990  
Fax: <1> (408) 433-0223

Hitachi Europe GmbH  
Electronic components Group  
Dornacher Straße 3  
D-85622 Feldkirchen, Munich  
Germany  
Tel: <49> (89) 9 9180-0  
Fax: <49> (89) 9 29 30 00

Hitachi Europe Ltd.  
Electronic Components Group.  
Whitebrook Park  
Lower Cookham Road  
Maidenhead  
Berkshire SL6 8YA, United Kingdom  
Tel: <44> (1628) 585000  
Fax: <44> (1628) 778322

Hitachi Asia Pte. Ltd.  
16 Collyer Quay #20-00  
Hitachi Tower  
Singapore 049318  
Tel: 535-2100  
Fax: 535-1533

Hitachi Asia Ltd.  
Taipei Branch Office  
3F, Hung Kuo Building, No.167,  
Tun-Hwa North Road, Taipei (105)  
Tel: <886> (2) 2718-3666  
Fax: <886> (2) 2718-8180

Hitachi Asia (Hong Kong) Ltd.  
Group III (Electronic Components)  
7/F., North Tower, World Finance Centre,  
Harbour City, Canton Road, Tsim Sha Tsui,  
Kowloon, Hong Kong  
Tel: <852> (2) 735 9218  
Fax: <852> (2) 730 0281  
Telex: 40815 HITEC HX

Copyright © Hitachi, Ltd., 1999. All rights reserved. Printed in Japan.